

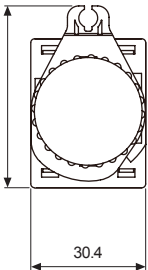
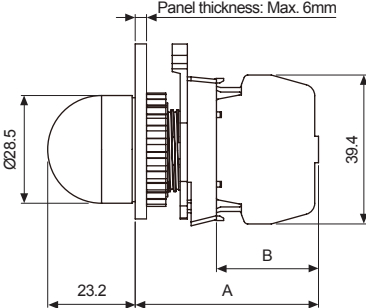


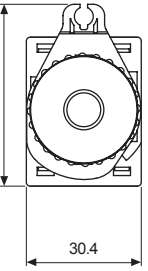
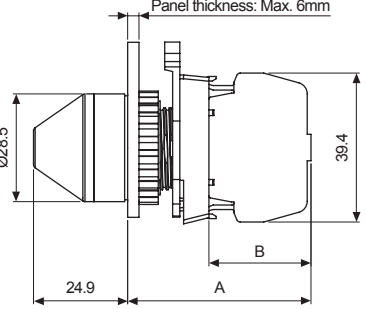




Ø22/25 Pilot Lights (L2RR Series)

| Type | Appearance | Model | Contact block | | LED block | | | | | | | | | | |
|--|---|--------------|---------------|-----------|---------------|------------|--|---|---|---------------|------|------|--------------|------|------|
| | | | A contact | B contact | AC/DC voltage | AC voltage | | | | | | | | | |
| Dome head, extended |  L2RR-L1G□  | L2RR-L1□D(M) | — | — | 1 | — | | | | | | | | | |
| | | L2RR-L1□L(M) | — | — | — | 1 | | | | | | | | | |
| <p>※□ indicates color: R, B, G, Y, W</p> <p>※The M in the model name indicates modular type LED block. Models without M are singular LED block.</p> <p>※The light unit and LED blocks are sold separately. (light unit: bold letters, LED block: regular letters)</p> <p>※The LED color is the same as the control unit.</p> <p>• Dimensions (unit: mm)</p> <div style="display: flex; justify-content: space-around; align-items: flex-start;"> <div style="text-align: center;">  <p>48.1</p> <p>30.4</p> </div> <div style="text-align: center;">  <p>Panel thickness: Max. 6mm</p> <p>Ø28.5</p> <p>23.2</p> <p>39.4</p> <p>A</p> <p>B</p> </div> <div style="border: 1px solid black; padding: 5px;"> <table border="1"> <thead> <tr> <th></th> <th>A</th> <th>B</th> </tr> </thead> <tbody> <tr> <td>Singular type</td> <td>48.5</td> <td>27.0</td> </tr> <tr> <td>Modular type</td> <td>46.5</td> <td>25.0</td> </tr> </tbody> </table> </div> </div> <p style="text-align: right;">※For panel cut-out dimensions, please refer to page A-82.</p> | | | | | | | | A | B | Singular type | 48.5 | 27.0 | Modular type | 46.5 | 25.0 |
| | A | B | | | | | | | | | | | | | |
| Singular type | 48.5 | 27.0 | | | | | | | | | | | | | |
| Modular type | 46.5 | 25.0 | | | | | | | | | | | | | |
| Horn head, extended |  L2RR-L2Y□  | L2RR-L2□D(M) | — | — | 1 | — | | | | | | | | | |
| | | L2RR-L2□L(M) | — | — | — | 1 | | | | | | | | | |
| <p>※□ indicates color: R, B, G, Y, W</p> <p>※The M in the model name indicates modular type LED block. Models without M are singular LED block.</p> <p>※The light unit and LED blocks are sold separately. (light unit: bold letters, LED block: regular letters)</p> <p>※The LED color is the same as the control unit.</p> <p>• Dimensions (unit: mm)</p> <div style="display: flex; justify-content: space-around; align-items: flex-start;"> <div style="text-align: center;">  <p>48.1</p> <p>30.4</p> </div> <div style="text-align: center;">  <p>Panel thickness: Max. 6mm</p> <p>Ø28.5</p> <p>24.9</p> <p>39.4</p> <p>A</p> <p>B</p> </div> <div style="border: 1px solid black; padding: 5px;"> <table border="1"> <thead> <tr> <th></th> <th>A</th> <th>B</th> </tr> </thead> <tbody> <tr> <td>Singular type</td> <td>48.5</td> <td>27.0</td> </tr> <tr> <td>Modular type</td> <td>46.5</td> <td>25.0</td> </tr> </tbody> </table> </div> </div> <p style="text-align: right;">※For panel cut-out dimensions, please refer to page A-82.</p> | | | | | | | | A | B | Singular type | 48.5 | 27.0 | Modular type | 46.5 | 25.0 |
| | A | B | | | | | | | | | | | | | |
| Singular type | 48.5 | 27.0 | | | | | | | | | | | | | |
| Modular type | 46.5 | 25.0 | | | | | | | | | | | | | |

Control Switches

Ø16

Ø22/25

Ø30

□30

Push Button Switches

Round

Square

Rectangular

Selector Switches

Round

Square

Rectangular

Key Selector Switches

Round

Square

Rectangular

Double Push Button Switches

Mushroom-head Push Button Switches

Emergency Switches


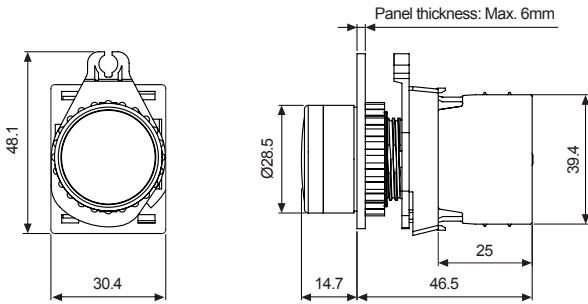

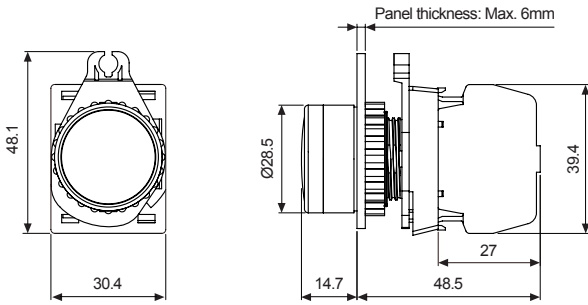
Pilot Lights

Accessories

Buzzers



Ø22/25 Pilot Lights

| Type | Appearance | Model | Contact block | | LED block | |
|--|---|---|---------------|---------------|---------------|------------|
| | | | A contact | B contact | AC/DC voltage | AC voltage |
| Flat round, extended |  L2RRU-L3R□ | Modular contact L2RR(U)-L3□DM | — | — | 1 | — |
| | | L2RR(U)-L3□LM | — | — | — | 1 |
| <p> ※ □ indicates color: R, B, G, Y, W ※ The control unit, contact blocks, LED blocks are sold separately. (control unit: bold letters, contact block: regular letters) ※ Control unit+contact block (modular type) models do not contain "Push" markings on the button cap. ※ Models with 'U' in the model name is available only for control unit. 'U' models do not contain "Push" markings on the button cap. ※ The LED color is the same as the control unit. ※ Waterproof cap (model: SA-WP) is available. </p> | | | | | | |
| <p>• Dimensions (unit: mm)</p>  <p style="text-align: right;">※For panel cut-out dimensions, please refer to page A-82.</p> | | | | | | |
| Appearance | Model | Contact block | | LED block | | |
| | | A contact | B contact | AC/DC voltage | AC voltage | |
|  L2RR-L3R□ | Singular contact L2RR(U)-L3□D | — | — | 1 | — | |
| | L2RR(U)-L3□L | — | — | — | 1 | |
| <p> ※ □ indicates color: R, B, G, Y, W ※ The control unit, contact blocks, LED blocks are sold separately. (control unit: bold letters, contact block: regular letters) ※ Control unit+contact block (modular type) models do not contain "Push" markings on the button cap. ※ Models with 'U' in the model name is available only for control unit. 'U' models do not contain "Push" markings on the button cap. ※ The LED color is the same as the control unit. ※ Waterproof cap (model: SA-WP) is available. </p> | | | | | | |
| <p>• Dimensions (unit: mm)</p>  <p style="text-align: right;">※For panel cut-out dimensions, please refer to page A-82.</p> | | | | | | |



Control Switches

Ø16

Ø22/25

Ø30

□30

Push Button Switches

Round

Square

Rectangular

Selector Switches

Round

Square

Rectangular

Key Selector Switches

Round

Square

Rectangular

Double Push Button Switches


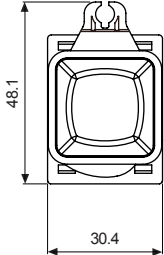
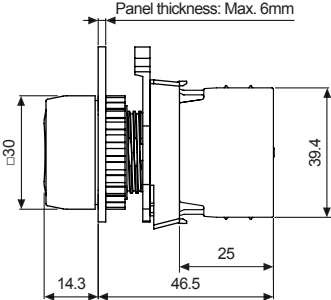

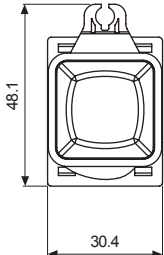
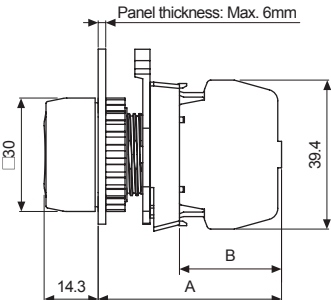
Mushroom-head Push Button Switches

Emergency Switches

Pilot Lights

Accessories


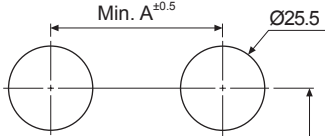
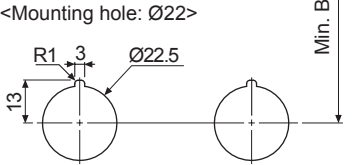









Buzzers

| Type | Appearance | Model | Contact block | | LED block | |
|--|--|----------------------------------|---------------|-----------|---------------|------------|
| | | | A contact | B contact | AC/DC voltage | AC voltage |
| Flat round, extended |  L2RRU-L4B□ | Modular contact L2RR(U)-L4□DM | — | — | 1 | — |
| | | L2RR(U)-L4□LM | — | — | — | 1 |
| <p>※ □ indicates color: R, B, G, Y, W</p> <p>※ The control unit, contact blocks, LED blocks are sold separately. (control unit: bold letters, contact block: regular letters)</p> <p>※ Control unit+contact block (modular type) models do not contain "Push" markings on the button cap.</p> <p>※ Models with 'U' in the model name is available only for control unit. 'U' models do not contain "Push" markings on the button cap.</p> <p>※ The LED color is the same as the control unit. ※ Waterproof cap (model: SA-WP) is available.</p> <p>• Dimensions (unit: mm)</p> <div style="display: flex; justify-content: space-around;">   </div> <p style="text-align: right;">※ For panel cut-out dimensions, please refer to page A-82.</p> | | | | | | |
| Appearance | Model | Contact block | | LED block | | |
| Singular contact |  L2RR-L4B□ | L2RR(U)-L4□D | — | — | 1 | — |
| | | L2RR(U)-L4□L | — | — | — | 1 |
| <p>※ □ indicates color: R, B, G, Y, W</p> <p>※ The control unit, contact blocks, LED blocks are sold separately. (control unit: bold letters, contact block: regular letters)</p> <p>※ Control unit+contact block (modular type) models do not contain "Push" markings on the button cap.</p> <p>※ Models with 'U' in the model name is available only for control unit. 'U' models do not contain "Push" markings on the button cap.</p> <p>※ The LED color is the same as the control unit. ※ Waterproof cap (model: SA-WP) is available.</p> <p>• Dimensions (unit: mm)</p> <div style="display: flex; justify-content: space-around;">   </div> <p style="text-align: right;">※ For panel cut-out dimensions, please refer to page A-82.</p> | | | | | | |

Ø22/25 Panel Cut-out Dimensions

Ø22/25 Panel Cut-out Dimensions

(unit: mm)

| Type | | A | B | Panel Cut-out Dimensions | |
|--|-------------|---|----|--------------------------|---|
| Round/Square Push Button Switches (S2PR/S2PRS Series) | |  | 33 | 55 | <p><Mounting hole: Ø25></p>  <p><Mounting hole: Ø22></p>  |
| Round Selector Switches (S2SR/S2SRN Series) | Short lever |  | 33 | 55 | |
| | Long lever |  | 55 | 55 | |
| Round Key Selector Switches (S2KR Series) | |  | 33 | 55 | |
| Double Push Button Switches (S2TR Series) | |  | 33 | 60 | |
| Mushroom-head Push Button Switches (S2BR Series) | |  | 33 | 55 | |
| Emergency Switches (S2ER Series) | D30 |  | 33 | 55 | |
| | D40 |  | 55 | 55 | |
| | D60 |  | 80 | 80 | |
| Pilot Lights (L2RR Series) | |  | 33 | 55 | |